

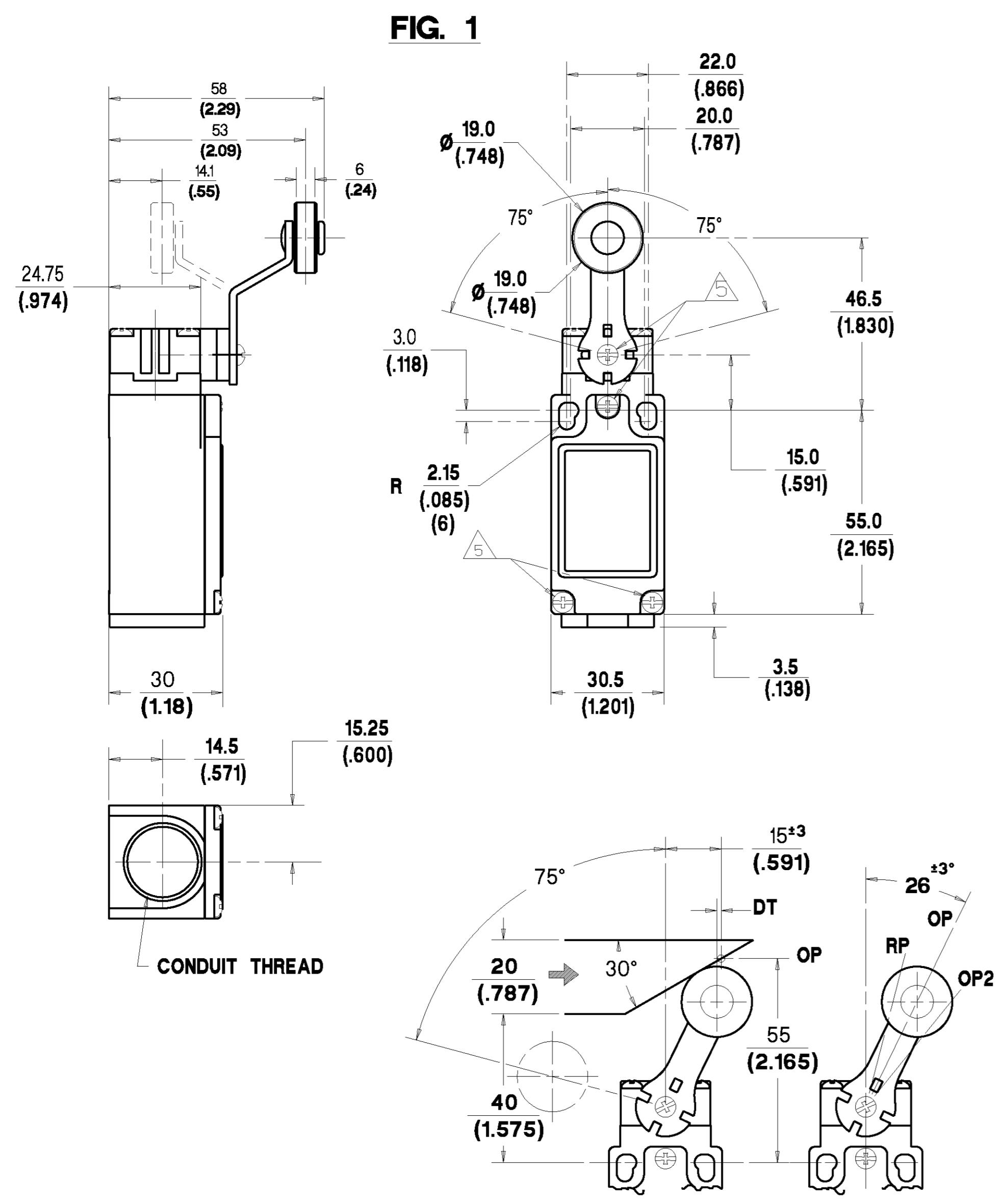
MTG-GL-198

REPLACES
DRAWING NUMBER
7
ISSUE

REVISIONS

2	7/96
3	12/96
4	7/97
5	8/97
6	CO/395
7	CO/769
8	WEIR 12/98

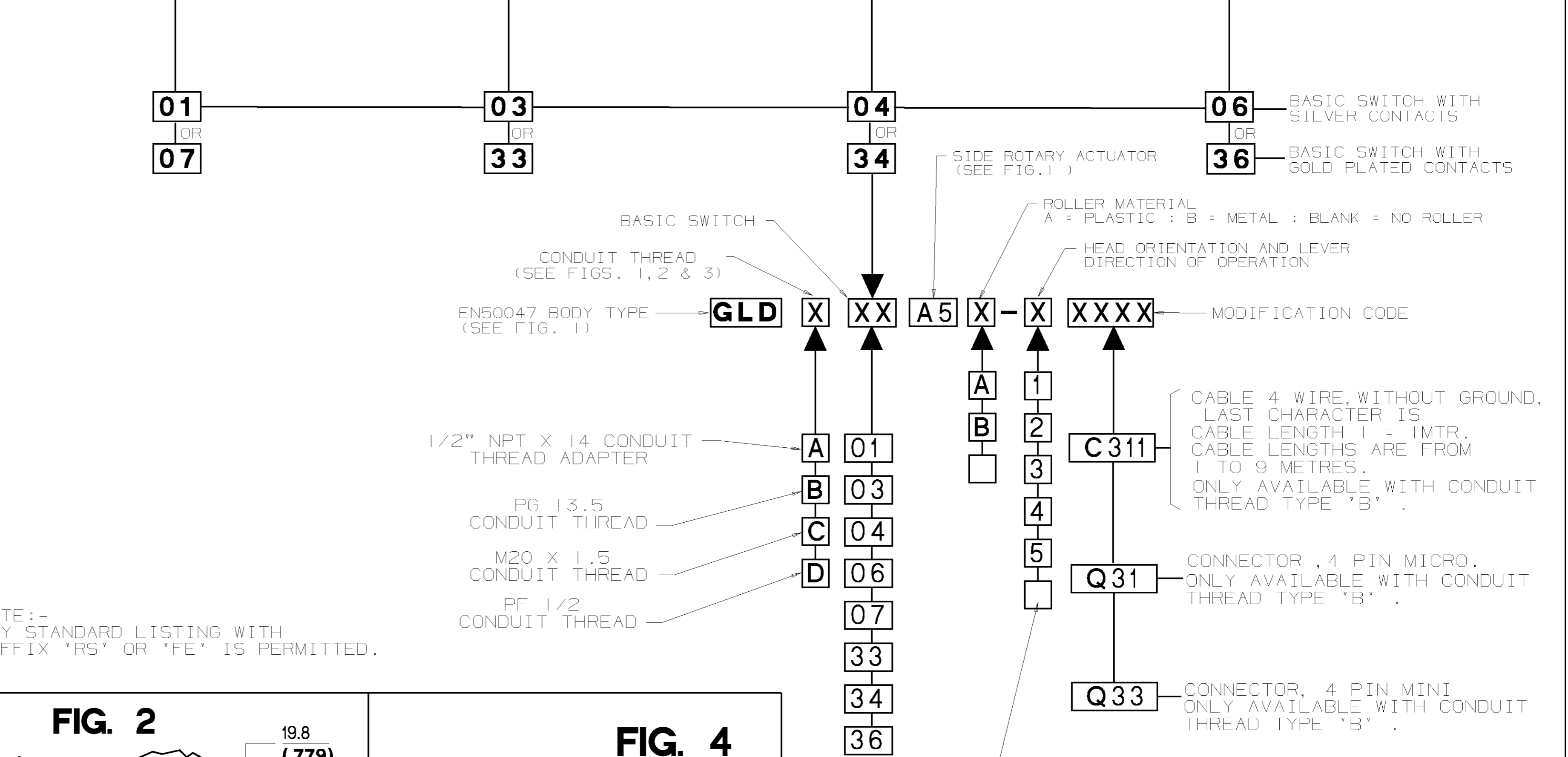
Honeywell **LIMIT SWITCH** CATALOGUE LISTING **GLS** CHART NO. **MTG-GL-198**



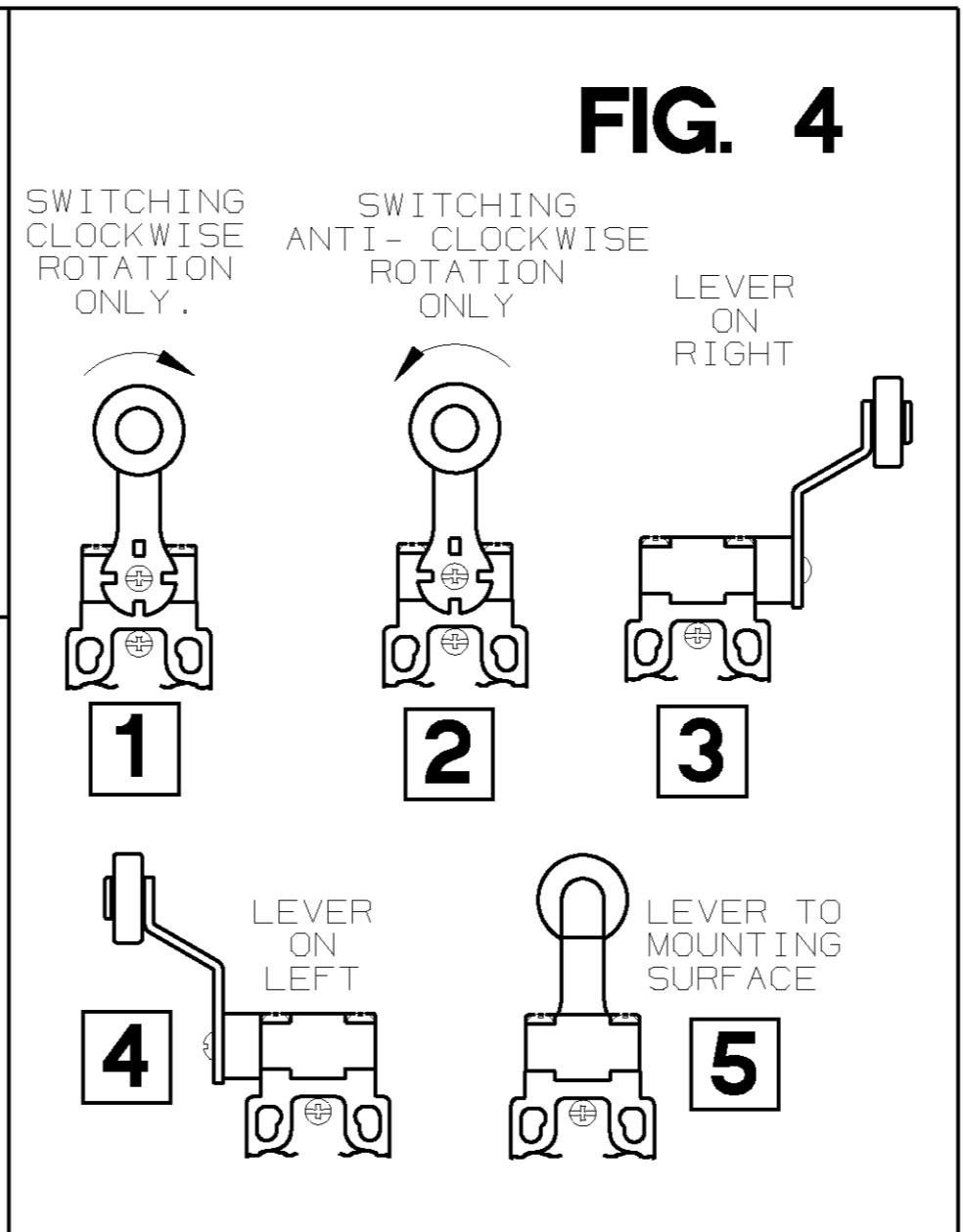
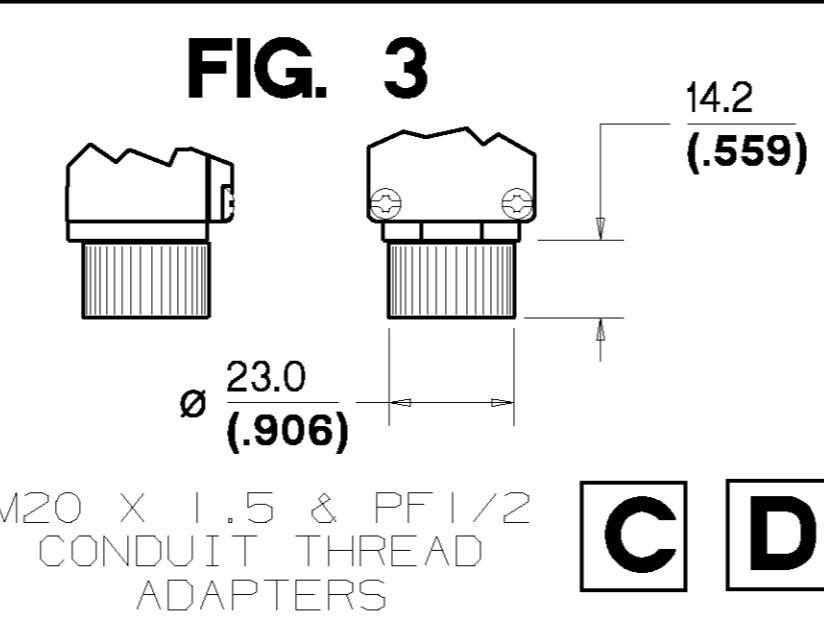
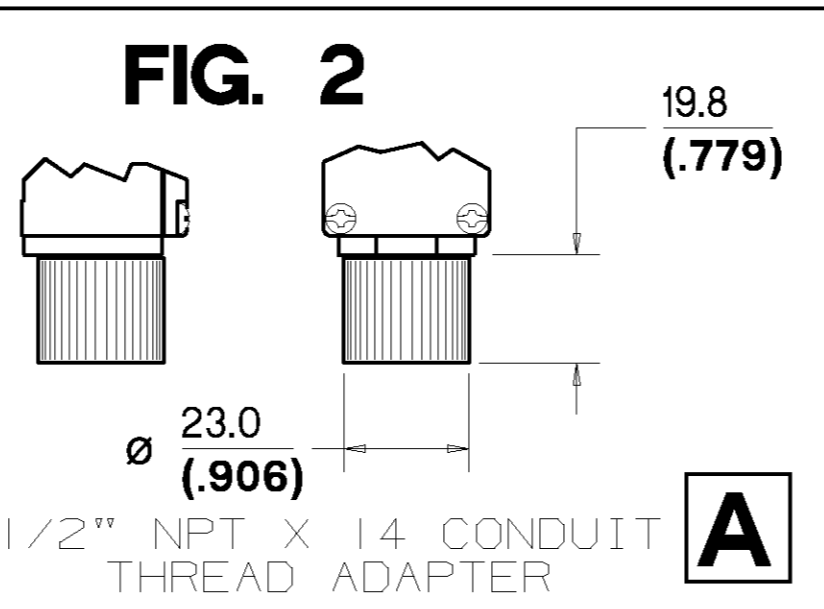
- NOTES:-
- MICRO SWITCH BLUE GLASS FILLED POLYESTER HOUSING & COVER. BLACK GLASS FILLED POLYAMIDE HEAD.
 - ENCLOSURE DOUBLE INSULATED TO IEC 539 CLASS II.
 - MINIMUM OPERATING VELOCITY (V_{min}) = 2.0 MM/S (THESE LIMITS APPLY TO CAM OPERATION AS SHOWN IN THE ABOVE DIAGRAMS ONLY)
MAXIMUM OPERATING VELOCITY (V_{max}) = 200 MM/S
MAXIMUM OPERATING FREQUENCY (F_{max}) = 250 OPS/MIN
 - FREE POSITION (FP), OPERATING POINT (OP), OVERTRAVEL (OT) AND PRETRAVEL (PT) ALL TO EN50047.
- △ MAXIMUM TIGHTENING TORQUE FOR FIXING SCREW = 0.5Nm (4.4in.LB)

NO CHANGES CAN BE MADE TO THIS DRAWING WITHOUT JOINT NEWHOUSE/FREEMPORT APPROVAL

CONTACT BLOCK DIAGRAM TERMINAL DESIGNATION TO EN 50013	NOMINAL TRAVELS AND RELATED TERMINALS	NORMAL OPERATING TORQUE MAX	MAXIMUM DISCONNECT TORQUE
SNAP-ACTION CONTACTS 		120 (1.1)	140 (1.3)
SLOW-ACTION CONTACTS (BREAK BEFORE MAKE) 		110 (1.0)	160 (1.5)
SLOW-ACTION CONTACTS (MAKE BEFORE BREAK) 		110 (1.0)	170 (1.6)
SLOW-ACTION CONTACTS (2 NORMALLY CLOSED) 		110 (1.0)	150 (1.4)



NOTE:- ANY STANDARD LISTING WITH SUFFIX 'RS' OR 'FE' IS PERMITTED.



IEC 947-5-1 ELECTRICAL RATING			ENVIRONMENTAL		APPROVALS
SILVER CONTACTS			GOLD PLATED CONTACTS		UL
AC	AC (FOR 2NC)	DC	IP66	NEMA 1, 4, 12, 13	
A600 AC15 U _e I _e	A500 AC15 U _e I _e	O300 DC13 U _e I _e	TEMP RANGE : -25° C TO 85° C -13° F TO 185° F	SHOCK : 50G PER IEC 68-2-27 VIBRATION : 10G PER IEC 68-2-6	IEC 947-5-1 EN50047
120 5 240 5 380 1.5 480 1.5 500 1.4 600 1.2	120 5 240 5 380 1.5 480 1.5 500 1.4	120 5 250 0.27	STORAGE : -40° C TO 85° C -40° F TO 185° F		
I _{th} = 10A 1V 10µA MIN. 50V 100mA MAX.					

NOTE: FOR CONNECTION DIAGRAMS AND ADDITIONAL ELECTRICAL, ENVIRONMENTAL & DIMENSIONAL INFORMATION SEE DRAWING GL-49212.